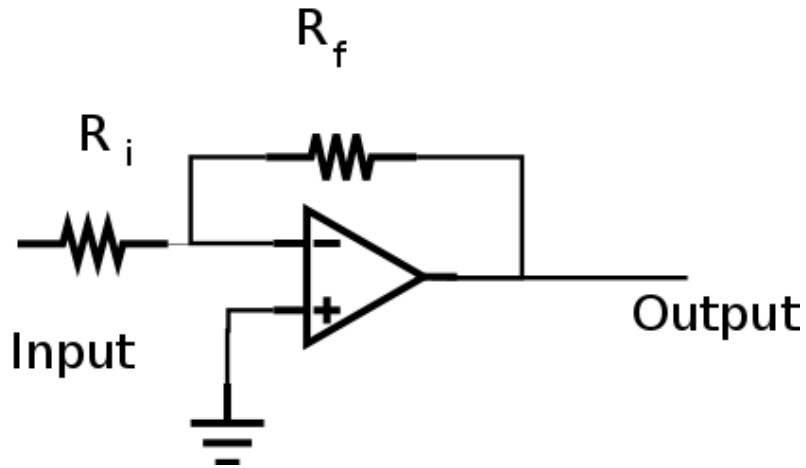


PC/CP320 quiz

1. Consider the following circuit:



If $R_i = 1\text{k}\Omega$, $R_f = 5\text{k}\Omega$, and V_{in} is as shown below, sketch the output. Assume supplies are $\pm 12\text{V}$.

