

# 8-Bit Serial or Parallel-Input/ Serial-Output Shift Register with 3-State Output

## High-Performance Silicon-Gate CMOS

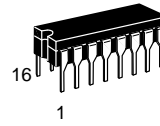
The MC54/74HC589 is similar in function to the HC597, which is not a 3-state device. The device inputs are compatible with standard CMOS outputs, with pullup resistors, they are compatible with LSTTL outputs.

This device consists of an 8-bit storage latch which feeds parallel data to an 8-bit shift register. Data can also be loaded serially (see Function Table). The shift register output,  $Q_H$ , is a three-state output, allowing this device to be used in bus-oriented systems.

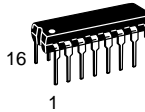
The HC589 directly interfaces with the Motorola SPI serial data port on CMOS MPUs and MCUs.

- Output Drive Capability: 15 LSTTL Loads
- Outputs Directly Interface to CMOS, NMOS, and TTL
- Operating Voltage Range: 2 to 6 V
- Low Input Current: 1  $\mu$ A
- High Noise Immunity Characteristic of CMOS Devices
- In Compliance with the Requirements Defined by JEDEC Standard No. 7A
- Chip Complexity: 526 FETs or 131.5 Equivalent Gates

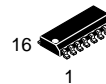
### MC54/74HC589



**J SUFFIX**  
CERAMIC PACKAGE  
CASE 620-10



**N SUFFIX**  
PLASTIC PACKAGE  
CASE 648-08

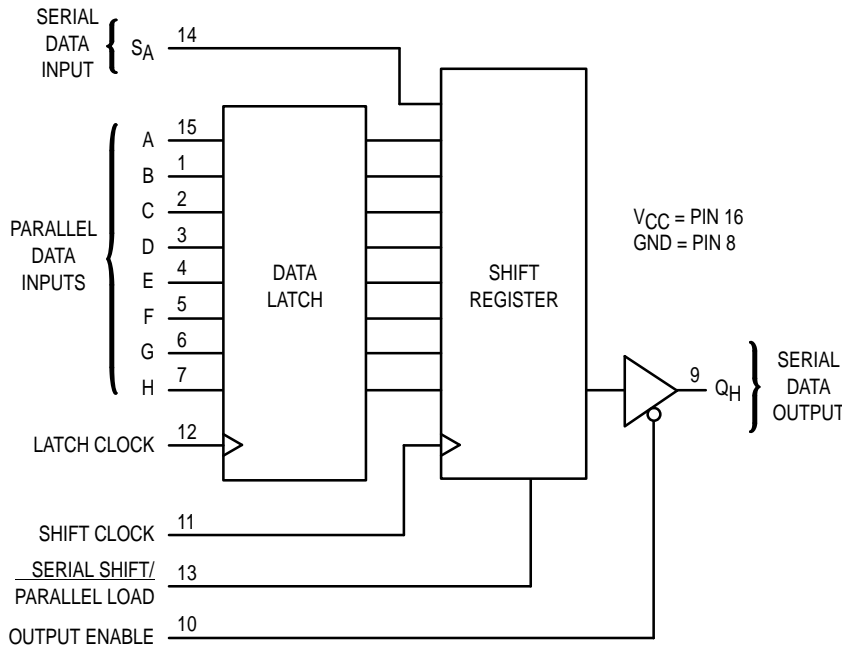


**D SUFFIX**  
SOIC PACKAGE  
CASE 751B-05

#### ORDERING INFORMATION

MC54HCXXXJ	Ceramic
MC74HCXXXN	Plastic
MC74HCXXXD	SOIC

#### LOGIC DIAGRAM



#### PIN ASSIGNMENT

B	1	16	VCC
C	2	15	A
D	3	14	SA
E	4	13	SERIAL SHIFT/ PARALLEL LOAD
F	5	12	LATCH CLOCK
G	6	11	SHIFT CLOCK
H	7	10	OUTPUT ENABLE
GND	8	9	QH



## MAXIMUM RATINGS\*

Symbol	Parameter	Value	Unit
$V_{CC}$	DC Supply Voltage (Referenced to GND)	- 0.5 to + 7.0	V
$V_{in}$	DC Input Voltage (Referenced to GND)	- 1.5 to $V_{CC} + 1.5$	V
$V_{out}$	DC Output Voltage (Referenced to GND)	- 0.5 to $V_{CC} + 0.5$	V
$I_{in}$	DC Input Current, per Pin	$\pm 20$	mA
$I_{out}$	DC Output Current, per Pin	$\pm 35$	mA
$I_{CC}$	DC Supply Current, $V_{CC}$ and GND Pins	$\pm 75$	mA
$P_D$	Power Dissipation in Still Air, Plastic or Ceramic DIP† SOIC Package†	750 500	mW
$T_{stg}$	Storage Temperature	- 65 to + 150	°C
$T_L$	Lead Temperature, 1 mm from Case for 10 Seconds (Plastic DIP or SOIC Package) (Ceramic DIP)	260 300	°C

This device contains protection circuitry to guard against damage due to high static voltages or electric fields. However, precautions must be taken to avoid applications of any voltage higher than maximum rated voltages to this high-impedance circuit. For proper operation,  $V_{in}$  and  $V_{out}$  should be constrained to the range  $GND \leq (V_{in} \text{ or } V_{out}) \leq V_{CC}$ . Unused inputs must always be tied to an appropriate logic voltage level (e.g., either GND or  $V_{CC}$ ). Unused outputs must be left open.

\* Maximum Ratings are those values beyond which damage to the device may occur. Functional operation should be restricted to the Recommended Operating Conditions.

† Derating — Plastic DIP: -10 mW/°C from 65° to 125°C  
Ceramic DIP: -10 mW/°C from 100° to 125°C  
SOIC Package: -7 mW/°C from 65° to 125°C

For high frequency or heavy load considerations, see Chapter 2 of the Motorola High-Speed CMOS Data Book (DL129/D).

## RECOMMENDED OPERATING CONDITIONS

Symbol	Parameter	Min	Max	Unit	
$V_{CC}$	DC Supply Voltage (Referenced to GND)	2.0	6.0	V	
$V_{in}, V_{out}$	DC Input Voltage, Output Voltage (Referenced to GND)	0	$V_{CC}$	V	
$T_A$	Operating Temperature, All Package Types	- 55	+ 125	°C	
$t_r, t_f$	Input Rise and Fall Time (Figure 1)	$V_{CC} = 2.0 \text{ V}$ $V_{CC} = 4.5 \text{ V}$ $V_{CC} = 6.0 \text{ V}$	0 0 0	1000 500 400	ns

## DC ELECTRICAL CHARACTERISTICS (Voltages Referenced to GND)

Symbol	Parameter	Test Conditions	$V_{CC}$ V	Guaranteed Limit			Unit
				- 55 to 25°C	$\leq 85^\circ\text{C}$	$\leq 125^\circ\text{C}$	
$V_{IH}$	Minimum High-Level Input Voltage	$V_{out} = 0.1 \text{ V or } V_{CC} - 0.1 \text{ V}$ $ I_{out}  \leq 20 \mu\text{A}$	2.0 4.5 6.0	1.5 3.15 4.2	1.5 3.15 4.2	1.5 3.15 4.2	V
$V_{IL}$	Maximum Low-Level Input Voltage	$V_{out} = 0.1 \text{ V or } V_{CC} - 0.1 \text{ V}$ $ I_{out}  \leq 20 \mu\text{A}$	2.0 4.5 6.0	0.3 0.9 1.2	0.3 0.9 1.2	0.3 0.9 1.2	V
$V_{OH}$	Minimum High-Level Output Voltage	$V_{in} = V_{IH} \text{ or } V_{IL}$ $ I_{out}  \leq 20 \mu\text{A}$	2.0 4.5 6.0	1.9 4.4 5.9	1.9 4.4 5.9	1.9 4.4 5.9	V
		$V_{in} = V_{IH} \text{ or } V_{IL}$ $ I_{out}  \leq 6.0 \text{ mA}$ $ I_{out}  \leq 7.8 \text{ mA}$	4.5 6.0	3.98 5.48	3.84 5.34	3.70 5.20	
$V_{OL}$	Maximum Low-Level Output Voltage	$V_{in} = V_{IH}$ $ I_{out}  \leq 20 \mu\text{A}$	2.0 4.5 6.0	0.1 0.1 0.1	0.1 0.1 0.1	0.1 0.1 0.1	V
		$V_{in} = V_{IH} \text{ or } V_{IL}$ $ I_{out}  \leq 6.0 \text{ mA}$ $ I_{out}  \leq 7.8 \text{ mA}$	4.5 6.0	0.26 0.26	0.33 0.33	0.40 0.40	
$I_{in}$	Maximum Input Leakage Current	$V_{in} = V_{CC} \text{ or } GND$	6.0	$\pm 0.1$	$\pm 1.0$	$\pm 1.0$	$\mu\text{A}$
$I_{OZ}$	Maximum Three-State Leakage Current	Output in High-Impedance State $V_{in} = V_{IL} \text{ or } V_{IH}$ $V_{out} = V_{CC} \text{ or } GND$	6.0	$\pm 0.5$	$\pm 5.0$	$\pm 10$	$\mu\text{A}$
$I_{CC}$	Maximum Quiescent Supply Current (per Package)	$V_{in} = V_{CC} \text{ or } GND$ $I_{out} = 0 \mu\text{A}$	6.0	8	80	160	$\mu\text{A}$

NOTE: Information on typical parametric values can be found in Chapter 2 of the Motorola High-Speed CMOS Data Book (DL129/D).

**AC ELECTRICAL CHARACTERISTICS** ( $C_L = 50$  pF, Input  $t_r = t_f = 6$  ns)

Symbol	Parameter	VCC V	Guaranteed Limit			Unit
			- 55 to 25°C	≤ 85°C	≤ 125°C	
$f_{max}$	Maximum Clock Frequency (50% Duty Cycle) (Figures 2 and 8)	2.0	6.0	4.8	4.0	MHz
		4.5	30	24	20	
		6.0	35	28	24	
$t_{PLH}$ , $t_{PHL}$	Maximum Propagation Delay, Latch Clock to $Q_H$ (Figures 1 and 8)	2.0	210	265	315	ns
		4.5	42	53	63	
		6.0	36	45	54	
$t_{PLH}$ , $t_{PHL}$	Maximum Propagation Delay, Shift Clock to $Q_H$ (Figures 2 and 8)	2.0	175	220	265	ns
		4.5	35	44	53	
		6.0	30	37	45	
$t_{PLH}$ , $t_{PHL}$	Maximum Propagation Delay, Serial Shift/Parallel Load to $Q_H$ (Figures 4 and 8)	2.0	175	220	265	ns
		4.5	35	44	53	
		6.0	30	37	45	
$t_{PLZ}$ , $t_{PHZ}$	Maximum Propagation Delay, Output Enable to $Q_H$ (Figures 3 and 9)	2.0	150	190	225	ns
		4.5	30	38	45	
		6.0	26	33	38	
$t_{PZL}$ , $t_{PZH}$	Maximum Propagation Delay, Output Enable to $Q_H$ (Figures 3 and 9)	2.0	150	190	225	ns
		4.5	30	38	45	
		6.0	26	33	38	
$t_{TLH}$ , $t_{THL}$	Maximum Output Transition Time, Any Output (Figures 1 and 8)	2.0	60	75	90	ns
		4.5	12	15	18	
		6.0	10	13	15	
$C_{in}$	Maximum Input Capacitance	—	10	10	10	pF
$C_{out}$	Maximum Three-State Output Capacitance (Output in High-Impedance State)	—	15	15	15	pF

## NOTES:

1. For propagation delays with loads other than 50 pF, see Chapter 2 of the Motorola High-Speed CMOS Data Book (DL129/D).
2. Information on typical parametric values can be found in Chapter 2 of the Motorola High-Speed CMOS Data Book (DL129/D).

$C_{PD}$	Power Dissipation Capacitance (Per Package)*	Typical @ 25°C, VCC = 5.0 V	pF
		50	

\* Used to determine the no-load dynamic power consumption:  $P_D = C_{PD} V_{CC}^2 f + I_{CC} V_{CC}$ . For load considerations, see Chapter 2 of the Motorola High-Speed CMOS Data Book (DL129/D).

**TIMING REQUIREMENTS** (Input  $t_r = t_f = 6$  ns)

Symbol	Parameter	VCC V	Guaranteed Limit			Unit
			- 55 to 25°C	≤ 85°C	≤ 125°C	
$t_{su}$	Minimum Setup Time, A–H to Latch Clock (Figure 5)	2.0 4.5 6.0	100 20 17	125 25 21	150 30 26	ns
$t_{su}$	Minimum Setup Time, Serial Data Input $S_A$ to Shift Clock (Figure 6)	2.0 4.5 6.0	100 20 17	125 25 21	150 30 26	ns
$t_{su}$	Minimum Setup Time, Serial Shift/Parallel Load to Shift Clock (Figure 7)	2.0 4.5 6.0	100 20 17	125 25 21	150 30 26	ns
$t_h$	Minimum Hold Time, Latch Clock to A–H (Figure 5)	2.0 4.5 6.0	25 5 5	30 6 6	40 8 7	ns
$t_h$	Minimum Hold Time, Shift Clock to Serial Data Input $S_A$ (Figure 6)	2.0 4.5 6.0	5 5 5	5 5 5	5 5 5	ns
$t_w$	Minimum Pulse Width, Shift Clock (Figure 2)	2.0 4.5 6.0	80 16 14	100 20 17	120 24 20	ns
$t_w$	Minimum Pulse Width, Latch Clock (Figure 1)	2.0 4.5 6.0	80 16 14	100 20 17	120 24 20	ns
$t_w$	Minimum Pulse Width, Serial Shift/Parallel Load (Figure 4)	2.0 4.5 6.0	80 16 14	100 20 17	120 24 20	ns
$t_r, t_f$	Maximum Input Rise and Fall Times (Figure 1)	2.0 4.5 6.0	1000 500 400	1000 500 400	1000 500 400	ns

NOTE: Information on typical parametric values can be found in Chapter 2 of the Motorola High-Speed CMOS Data Book (DL129/D).

**FUNCTION TABLE**

Operation	Inputs						Resulting Function		
	Output Enable	Serial Shift/ Parallel Load	Latch Clock	Shift Clock	Serial Input $S_A$	Parallel Inputs A–H	Data Latch Contents	Shift Register Contents	Output $Q_H$
Force output into high impedance state	H	X	X	X	X	X	X	X	Z
Load parallel data into data latch	L	H	$\swarrow$	L, H, $\swarrow$	X	a–h	a–h	U	U
Transfer latch contents to shift register	L	L	L, H, $\swarrow$	X	X	X	U	$LR_N \rightarrow SR_N$	$LR_H$
Contents of input latch and shift register are unchanged	L	H	L, H, $\swarrow$	L, H, $\swarrow$	X	X	U	U	U
Load parallel data into data latch and shift register	L	L	$\swarrow$	X	X	a–h	a–h	a–h	h
Shift serial data into shift register	L	H	X	$\swarrow$	D	X	*	$SR_A = D,$ $SR_N \rightarrow SR_{N+1}$	$SR_G \rightarrow SR_H$
Load parallel data in data latch and shift serial data into shift register	L	H	$\swarrow$	$\swarrow$	D	a–h	a–h	$SR_A = D,$ $SR_N \rightarrow SR_{N+1}$	$SR_G \rightarrow SR_H$

LR = latch register contents

SR = shift register contents

a–h = data at parallel data inputs A–H

D = data (L, H) at serial data input  $S_A$

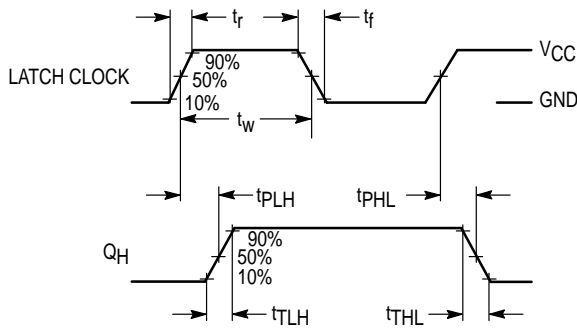
U = remains unchanged

X = don't care

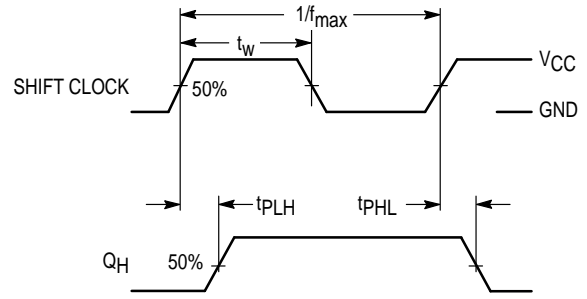
Z = high impedance

\* = depends on Latch Clock input

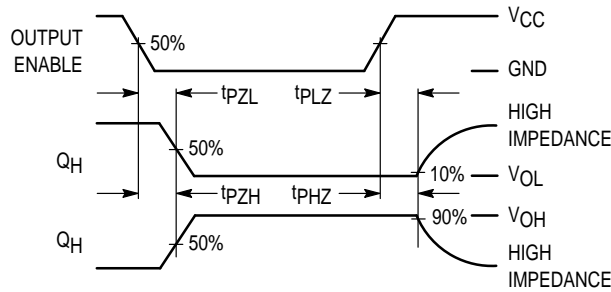
**SWITCHING WAVEFORMS**



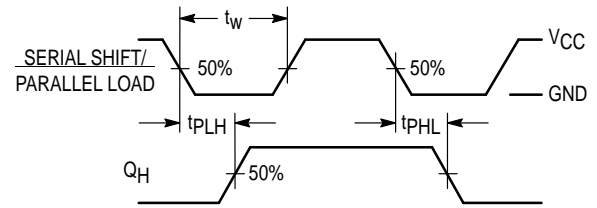
**Figure 1. (Serial Shift/Parallel Load = L)**



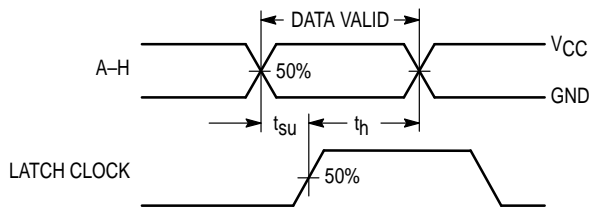
**Figure 2. (Serial Shift/Parallel Load = H)**



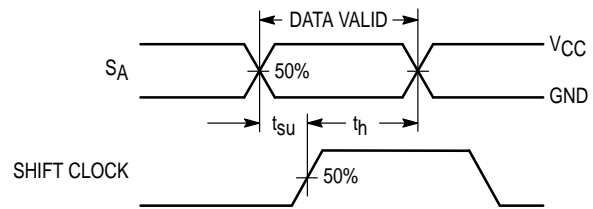
**Figure 3.**



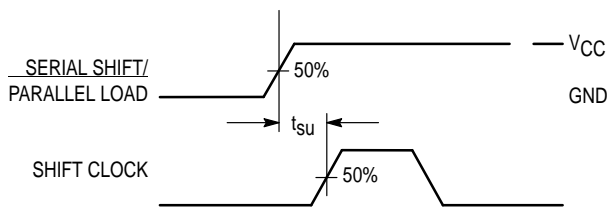
**Figure 4.**



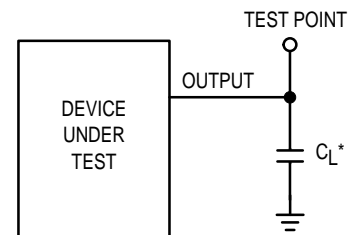
**Figure 5.**



**Figure 6.**



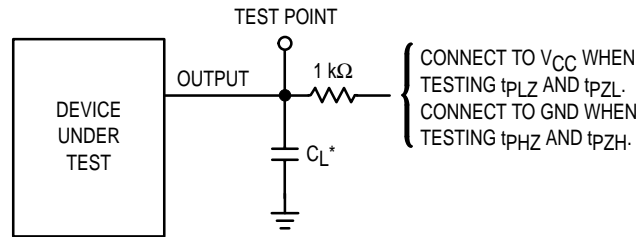
**Figure 7.**



\* Includes all probe and jig capacitance

**Figure 8. Test Circuit**

## TEST CIRCUIT



\* Includes all probe and jig capacitance

Figure 9.

## PIN DESCRIPTIONS

## DATA INPUTS

**A, B, C, D, E, F, G, H (Pins 15, 1, 2, 3, 4, 5, 6, 7)**

Parallel data inputs. Data on these inputs are stored in the data latch on the rising edge of the Latch Clock input.

**SA (Pin 14)**

Serial data input. Data on this input is shifted into the shift register on the rising edge of the Shift Clock input if Serial Shift/Parallel Load is high. Data on this input is ignored when Serial Shift/Parallel Load is low.

## CONTROL INPUTS

**Serial Shift/Parallel Load (Pin 13)**

Shift register mode control. When a high level is applied to this pin, the shift register is allowed to serially shift data. When a low level is applied to this pin, the shift register accepts parallel data from the data latch.

**Shift Clock (Pin 11)**

Serial shift clock. A low-to-high transition on this input shifts data on the serial data input into the shift register and data in stage H is shifted out  $Q_H$ , being replaced by the data previously stored in stage G.

**Latch Clock (Pin 12)**

Data latch clock. A low-to-high transition on this input loads the parallel data on inputs A–H into the data latch.

**Output Enable (Pin 10)**

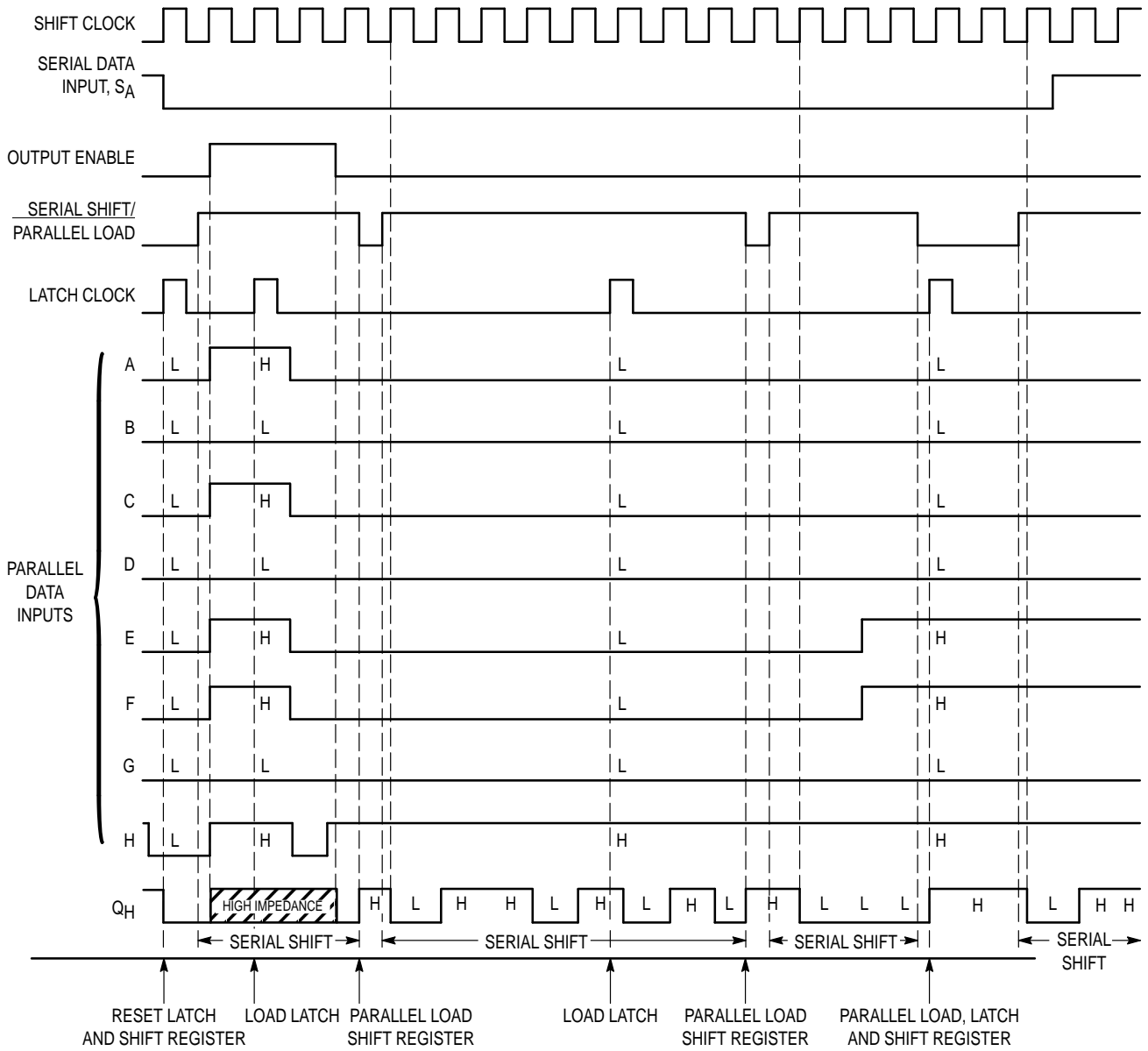
Active-low output enable. A high level applied to this pin forces the  $Q_H$  output into the high impedance state. A low level enables the output. This control does not affect the state of the input latch or the shift register.

## OUTPUT

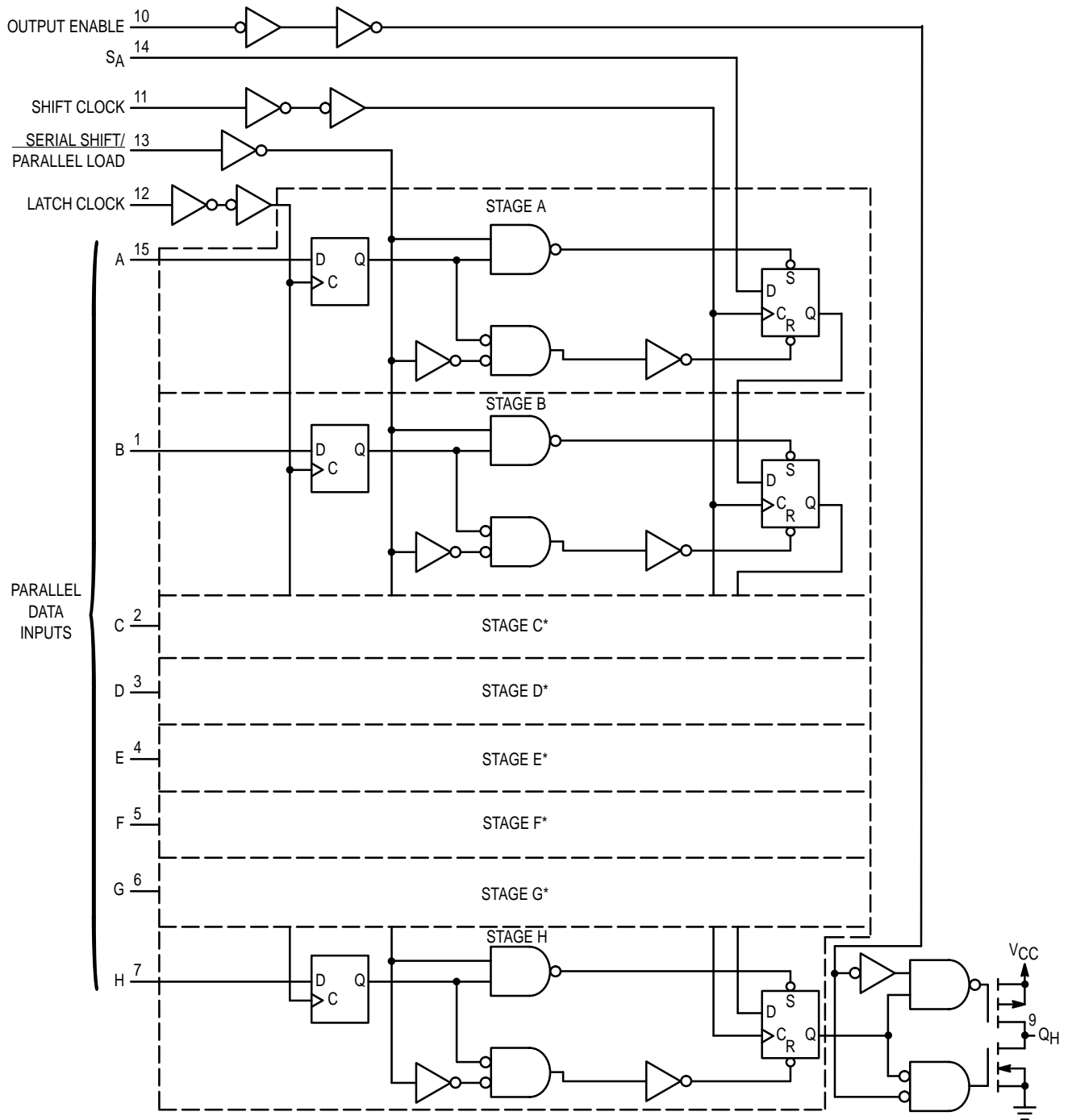
 **$Q_H$  (Pin 9)**

Serial data output. This pin is the output from the last stage of the shift register. This is a 3-state output.

TIMING DIAGRAM



LOGIC DETAIL

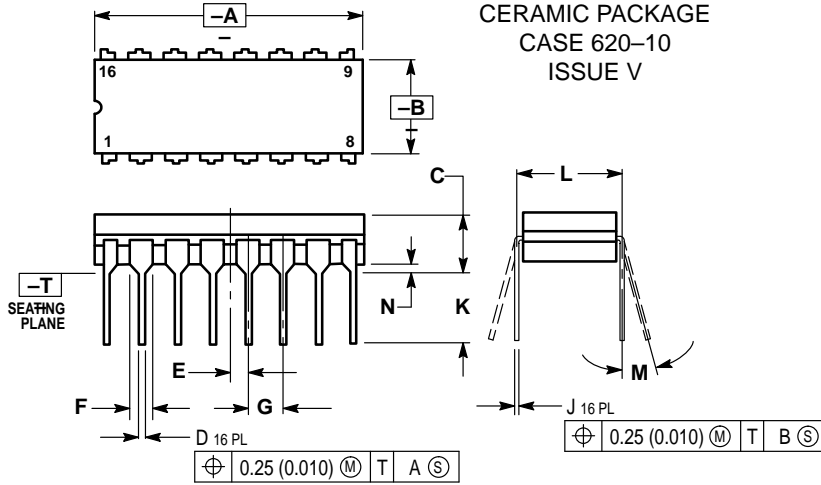


\*NOTE: Stages C thru G (not shown in detail) are identical to stages A and B above.



OUTLINE DIMENSIONS

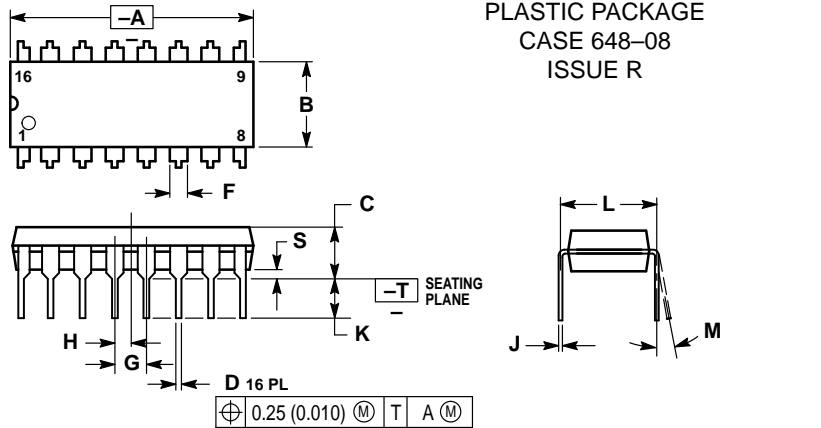
J SUFFIX  
CERAMIC PACKAGE  
CASE 620-10  
ISSUE V



- NOTES:
1. DIMENSIONING AND TOLERANCING PER ANSI Y14.5M, 1982.
  2. CONTROLLING DIMENSION: INCH.
  3. DIMENSION L TO CENTER OF LEAD WHEN FORMED PARALLEL.
  4. DIM F MAY NARROW TO 0.76 (0.030) WHERE THE LEAD ENTERS THE CERAMIC BODY.

DIM	INCHES		MILLIMETERS	
	MIN	MAX	MIN	MAX
A	0.750	0.785	19.05	19.93
B	0.240	0.295	6.10	7.49
C	—	0.200	—	5.08
D	0.015	0.020	0.39	0.50
E	0.050 BSC		1.27 BSC	
F	0.055	0.065	1.40	1.65
G	0.100 BSC		2.54 BSC	
J	0.008	0.015	0.21	0.38
K	0.125	0.170	3.18	4.31
L	0.300 BSC		7.62 BSC	
M	0°	15°	0°	15°
N	0.020	0.040	0.51	1.01

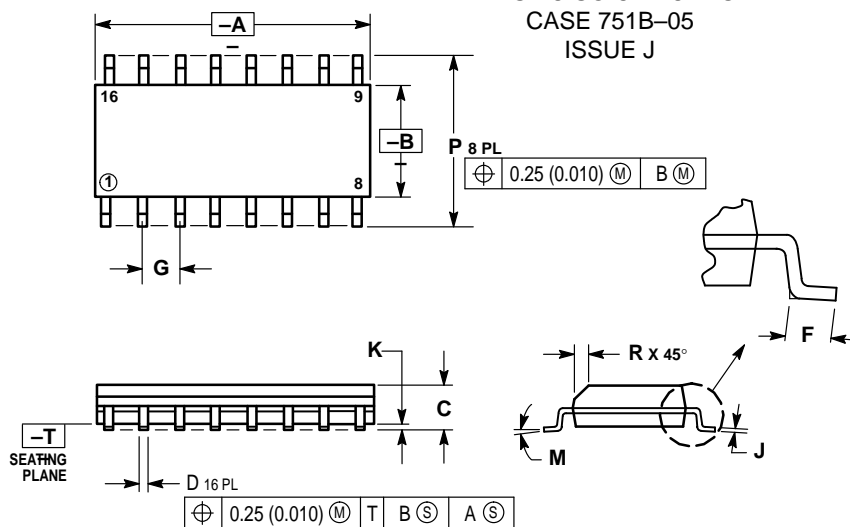
N SUFFIX  
PLASTIC PACKAGE  
CASE 648-08  
ISSUE R



- NOTES:
1. DIMENSIONING AND TOLERANCING PER ANSI Y14.5M, 1982.
  2. CONTROLLING DIMENSION: INCH.
  3. DIMENSION L TO CENTER OF LEADS WHEN FORMED PARALLEL.
  4. DIMENSION B DOES NOT INCLUDE MOLD FLASH.
  5. ROUNDED CORNERS OPTIONAL.


DIM	INCHES		MILLIMETERS	
	MIN	MAX	MIN	MAX
A	0.740	0.770	18.80	19.55
B	0.250	0.270	6.35	6.85
C	0.145	0.175	3.69	4.44
D	0.015	0.021	0.39	0.53
F	0.040	0.070	1.02	1.77
G	0.100 BSC		2.54 BSC	
H	0.050 BSC		1.27 BSC	
J	0.008	0.015	0.21	0.38
K	0.110	0.130	2.80	3.30
L	0.295	0.305	7.50	7.74
M	0°	10°	0°	10°
S	0.020	0.040	0.51	1.01

D SUFFIX  
PLASTIC SOIC PACKAGE  
CASE 751B-05  
ISSUE J



- NOTES:
1. DIMENSIONING AND TOLERANCING PER ANSI Y14.5M, 1982.
  2. CONTROLLING DIMENSION: MILLIMETER.
  3. DIMENSIONS A AND B DO NOT INCLUDE MOLD PROTRUSION.
  4. MAXIMUM MOLD PROTRUSION 0.15 (0.006) PER SIDE.
  5. DIMENSION D DOES NOT INCLUDE DAMBAR PROTRUSION. ALLOWABLE DAMBAR PROTRUSION SHALL BE 0.127 (0.005) TOTAL IN EXCESS OF THE D DIMENSION AT MAXIMUM MATERIAL CONDITION.

DIM	MILLIMETERS		INCHES	
	MIN	MAX	MIN	MAX
A	9.80	10.00	0.386	0.393
B	3.80	4.00	0.150	0.157
C	1.35	1.75	0.054	0.068
D	0.35	0.49	0.014	0.019
F	0.40	1.25	0.016	0.049
G	1.27 BSC		0.050 BSC	
J	0.19	0.25	0.008	0.009
K	0.10	0.25	0.004	0.009
M	0°	7°	0°	7°
P	5.80	6.20	0.229	0.244
R	0.25	0.50	0.010	0.019

Motorola reserves the right to make changes without further notice to any products herein. Motorola makes no warranty, representation or guarantee regarding the suitability of its products for any particular purpose, nor does Motorola assume any liability arising out of the application or use of any product or circuit, and specifically disclaims any and all liability, including without limitation consequential or incidental damages. "Typical" parameters can and do vary in different applications. All operating parameters, including "Typicals" must be validated for each customer application by customer's technical experts. Motorola does not convey any license under its patent rights nor the rights of others. Motorola products are not designed, intended, or authorized for use as components in systems intended for surgical implant into the body, or other applications intended to support or sustain life, or for any other application in which the failure of the Motorola product could create a situation where personal injury or death may occur. Should Buyer purchase or use Motorola products for any such unintended or unauthorized application, Buyer shall indemnify and hold Motorola and its officers, employees, subsidiaries, affiliates, and distributors harmless against all claims, costs, damages, and expenses, and reasonable attorney fees arising out of, directly or indirectly, any claim of personal injury or death associated with such unintended or unauthorized use, even if such claim alleges that Motorola was negligent regarding the design or manufacture of the part. Motorola and  are registered trademarks of Motorola, Inc. Motorola, Inc. is an Equal Opportunity/Affirmative Action Employer.

**How to reach us:**

**USA/EUROPE:** Motorola Literature Distribution;  
P.O. Box 20912; Phoenix, Arizona 85036. 1-800-441-2447

**JAPAN:** Nippon Motorola Ltd.; Tatsumi-SPD-JLDC, Toshikatsu Otsuki,  
6F Seibu-Butsuryu-Center, 3-14-2 Tatsumi Koto-Ku, Tokyo 135, Japan. 03-3521-8315

**MFAX:** RMFAX0@email.sps.mot.com -TOUCHTONE (602) 244-6609  
**INTERNET:** <http://Design-NET.com>

**HONG KONG:** Motorola Semiconductors H.K. Ltd.; 8B Tai Ping Industrial Park,  
51 Ting Kok Road, Tai Po, N.T., Hong Kong. 852-26629298



This datasheet has been download from:

[www.datasheetcatalog.com](http://www.datasheetcatalog.com)

Datasheets for electronics components.