

# HORN 深圳市豪恩实业有限公司

SHENZHEN HORN INDUSTRIAL CO., LTD.

SPEC. SHEET NO: 00011231

Address:  
BLOCK 1, DEHUINA INDUSTRIAL DISTRICT,  
MINGZHI RD LONGHUA, SHENZHEN,  
GUANGDONG, CHINA 518131

TEL: (86) 755-8192552 8190943  
FAX: (86) 755-8192557  
E-mail: szwwiner@public.szptt.net.cn  
HOME PAGE: www.globalsources.com/hornmic.co

**CUSTOMER: Digi-Key Corporation**


## APPROVE SHEET

PRODUCT NAME	TYPE	DIMENSION	
Electret Condenser Microphone	EM6050P-44	Ø6.0×5.0(mm)	pin type

APPROVED : 李 军 DATE: 2000.11.25

CHECKED BY: 阿 小 康 DATE: 2001.11.25

ISSUED BY: 陳為波 DATE: 2000/11/23



APPROVED BY:

DATE:

Address:  
 BLOCK 1, DEHUINA INDUSTRIAL DISTRICT,  
 MINGZHI RD LONGHUA, SHENZHEN,  
 GUANGDONG, CHINA 518131

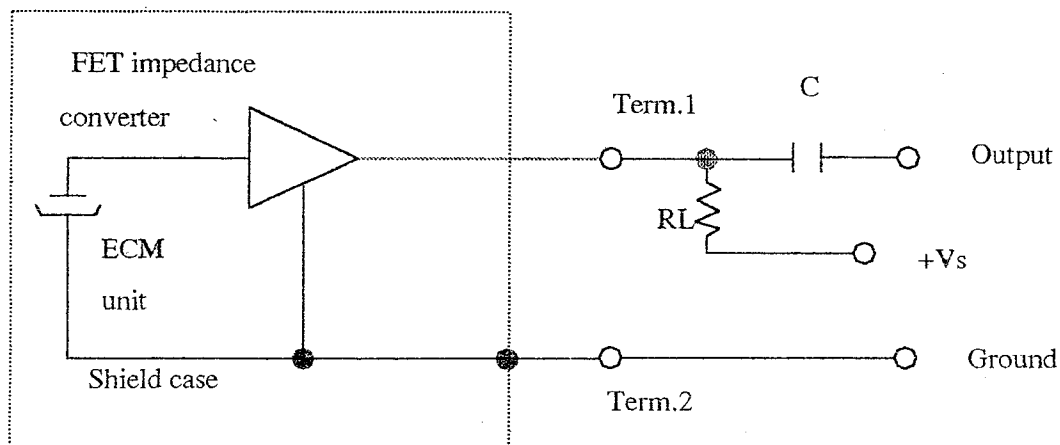
TEL: (86) 755-8192552 8190943  
 FAX: (86) 755-8192557  
 E-mail: szwwiner@public.szptt.net.cn  
 HOME PAGE: www.globalsources.com/hornmic.co

## SPECIFICATION

Item	Symbol	Test conditions	Min	Standard	Max	Unit
Sensitivity	S	f=1KHz. Pin=1ubar	-47	-44	-41	dB OdB=1V/Pa
Directivity	Omnidirectional					
Impedance	Zout				2.2	K Ω
Current consumption	I	f=1KHz. Pin=1ubar			500	uA
Sensitivity reduction	ΔS	f=1KHz. Pin=1ubar. Vs=4.5→1.5V			-3	dB
S/N ratio	S/N(A)	f=1KHz. Pin=1ubar. A=curve	40			dB

### Measurement Circuit (Test Condition Vs=4.5V RL=2.2KΩ)

Ta=20°C R.H=65%)

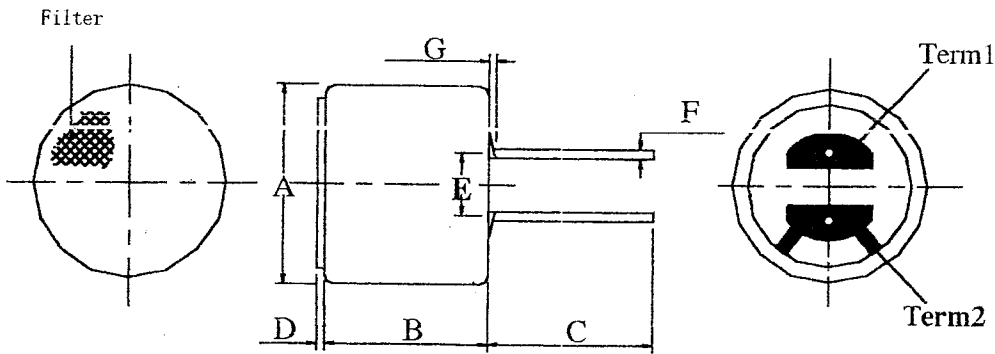


Address:  
 BLOCK 1, DEHUINA INDUSTRIAL DISTRICT,  
 MINGZHI RD LONGHUA, SHENZHEN,  
 GUANGDONG, CHINA 518131

TEL: (86) 755-8192552 8190943  
 FAX: (86) 755-8192557  
 E-mail: szwwiner@public.szptt.net.cn  
 HOME PAGE: www.globalsources.com/hornmic.co

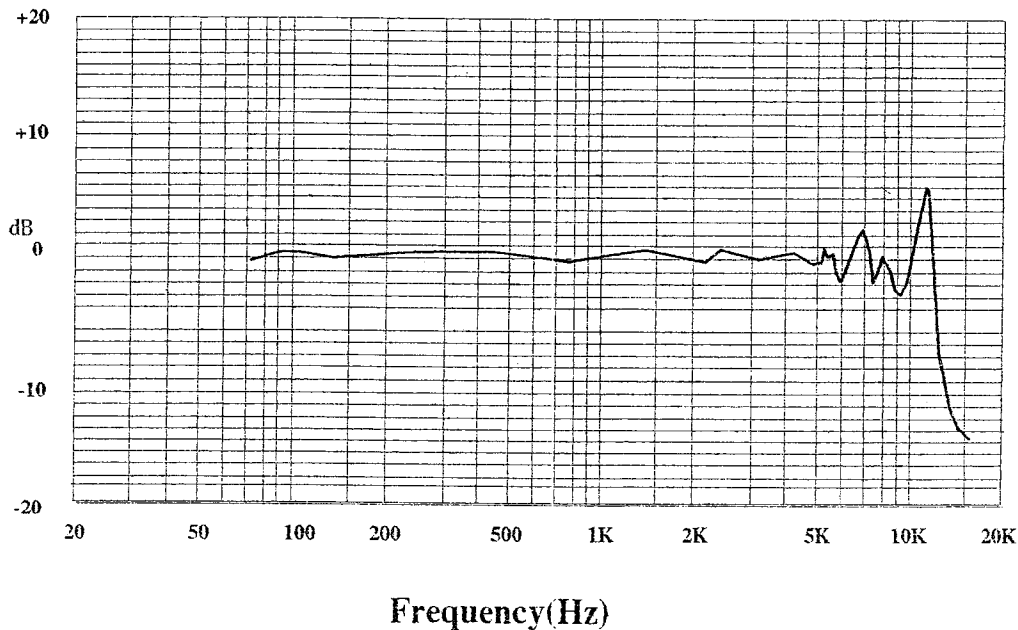
**Dimensional Drawing**

**unit: mm**



PART	MIN	TYPE	MAX	REMARK
A	Ø5.8	Ø6.0	Ø6.2	
B	4.8	5.0	5.2	
C	4	5	6	
D	-	-	0.2	
E	1.8	1.9	2	
F	-	-	0.7	
G		-	0.5	

**Typical Frequency Response Curve**



Address:  
BLOCK 1, DEHUINA INDUSTRIAL DISTRICT,  
MINGZHI RD LONGHUA, SHENZHEN,  
GUANGDONG, CHINA 518131

TEL: (86) 755-8192552 8190943  
FAX: (86) 755-8192557  
E-mail: szwwiner@public.szptt.net.cn  
HOME PAGE: www.globalsources.com/hornmic.co

## Ambient condition

### (1) Operating condition

Ambient temperature:  $-10^{\circ}\text{C} \sim +45^{\circ}\text{C}$   
Relative humidity:  $\leq 85\%$

### (2) Storage condition

Ambient temperature:  $-20^{\circ}\text{C} \sim +60^{\circ}\text{C}$   
Relative humidity: 45%

## Reliability Test

### 1) Vibration Test

To be no interference in operation after vibration of full amplitude 2mm for 30 minutes at three axis, the sensitivity to be within  $\pm 3\text{dB}$  from initial sensitivity.

### 2) Drop test

To be no interference in operation after dropped to concrete floor each time from 1 meter height of three directions in state of packing, the sensitivity to be within  $\pm 3\text{dB}$  from initial sensitivity.

### 3) High Temperature Storage:

To be no interference in operation after high temperature test  $70^{\circ}\text{C} \pm 3^{\circ}\text{C}$  for 48 hours. The sensitivity to be within  $\pm 3\text{dB}$  from initial sensitivity.

### 4) Isotherm & Iso-humidity Storage

To be no interference in operation after storage test at temperature  $40^{\circ}\text{C} \pm 2^{\circ}\text{C}$  and relative humidity ( $93\% \pm 2\sim 3\%$ ) for 48 hours, the sensitivity to be within  $\pm 3\text{dB}$  from initial sensitivity, the test is performed at temperature  $20^{\circ}\text{C}$  after operation for 2 hours.

### 5) Low Temperature Storage

To be no interference in operation after test at temperature  $-20^{\circ}\text{C} \pm 3^{\circ}\text{C}$  for 48 hours, the sensitivity to be within  $\pm 3\text{dB}$  from initial sensitivity

### 6) Temperature Cycle Test

After exposure at  $55 \pm 2^{\circ}\text{C}$  for 1 hour, at  $20 \pm 2^{\circ}\text{C}$  for 1 hour, at  $-10 \pm 2^{\circ}\text{C}$  for 1 hour, at  $20 \pm 2^{\circ}\text{C}$  for 1 hour, with 5 cycles. Change of sensitivity within  $\pm 3\text{dB}$  from initial measuring should be done after 2 hours exposed to  $20^{\circ}\text{C} \pm 2^{\circ}\text{C}$ .

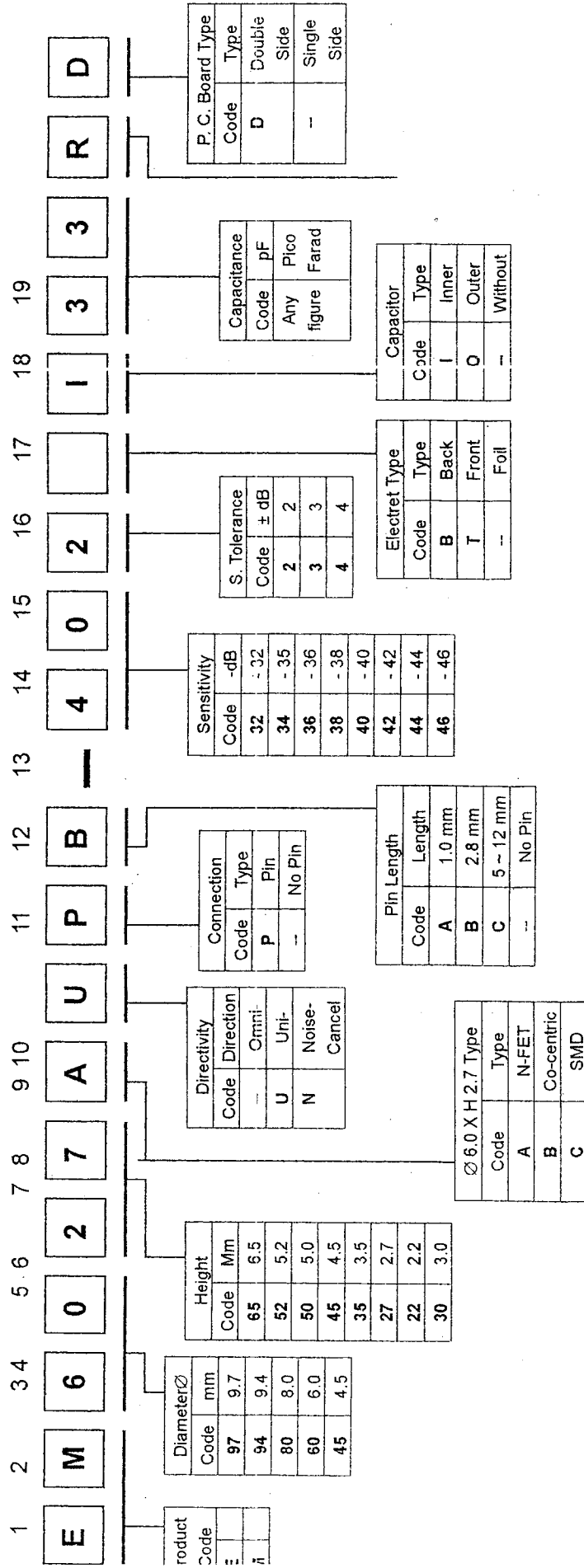
### 7) Collision Test

After collided with the acceleration  $100 \pm 10\text{m/s}$ , at the vertical & horizontal directions for  $1000 \pm 10$  times. at the state of packing. Change of sensitivity within  $\pm 3\text{dB}$  from initial.

# HORN Shenzhen Horn Industrial Co., Ltd.

## Explanation of Part Number

### Explanation of Part Number



# SHENZHEN HORN INDUSTRIAL CO.,LTD.

## PACKING LIST OF CONDENSER MICROPHONES

MODEL NO	DIMENSION (mm)	DIRECTIVITY	INNER PACKING (PCS)	MIDDLE PACKING (PCS)	CARTOON (PCS)	GROSS WEIGHT (Kg)	NET WEIGHT (Kg)
M9765	9.7*6.5	Omni directional	100	1,000	10,000	10	9.5
M9765P	9.7*6.5	Omni directional	N/G	400	4,000	5	4.5
M9752U	9.7*5.2	Unidirectional	100	1,000	10,000	9.5	9
M9752N	9.7*5.2	Noise Cancelling	100	1,000	10,000	9.5	9
M9745	9.7*4.5	Omni directional	100	1,000	10,000	9	8.5
M9745P	9.7*4.5	Omni directional	N/G	400	4,000	3.5	3
M9465	9.4*6.5	Omni directional	100	1,000	10,000	9.5	9
M9465P	9.4*6.5	Omni directional	N/G	400	4,000	4.5	4
M8050U	8.0*5.0	Unidirectional	50	1,000	15,000	10	9.5
M6050	6.0*5.0	Omni directional	100	2,000	30,000	10.5	10
M6050P	6.0*5.0	Omni directional	100	1,000	10,000	3.5	3
M6050U	6.0*5.0	Unidirectional	100	2,000	30,000	10.5	10
M6050N	6.0*5.0	Noise Cancelling	100	2,000	30,000	10.5	10
M6035	6.0*3.5	Omni directional	100	2,000	30,000	9.5	9
M6027	6.0*2.7	Omni directional	100	2,000	30,000	7.5	7
M6027PA	6.0*2.7	Omni directional	100	2,000	30,000	7.5	7
M4530	4.5*3.0	Omni directional	100	2,000	30,000	6.5	6