

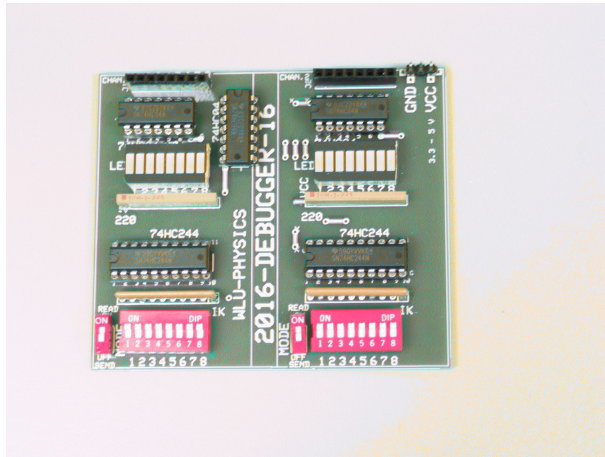
Electronics The Debugger Board

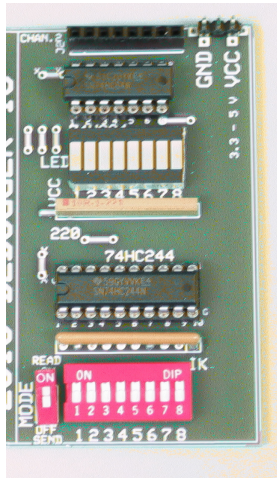
Terry Sturtevant

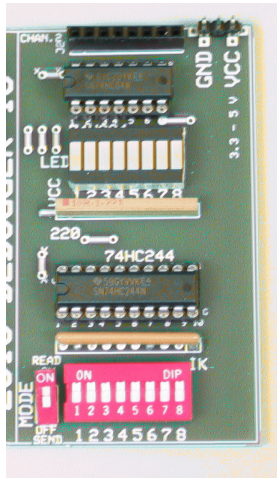
Wilfrid Laurier University

June 17, 2016

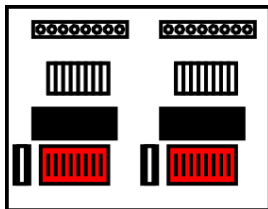
The Debugger board

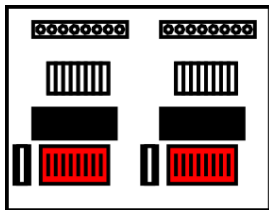




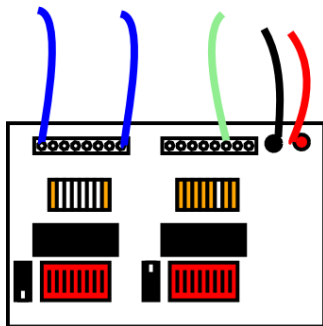


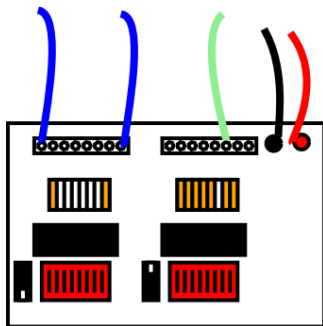
It's composed of two banks, each of which looks like this.



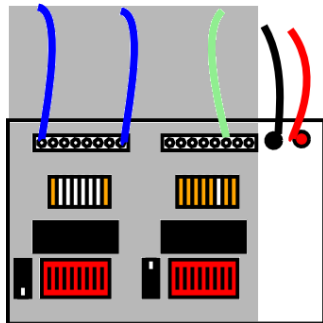


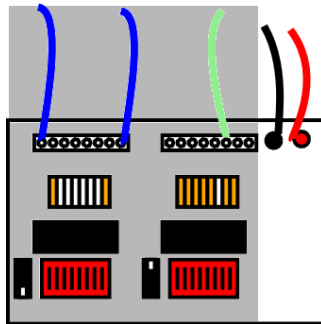
Here's a simplified sketch.



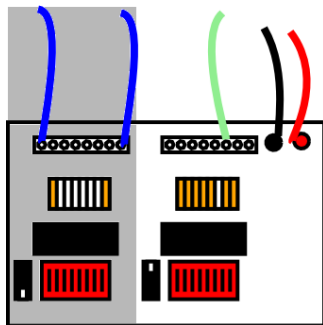


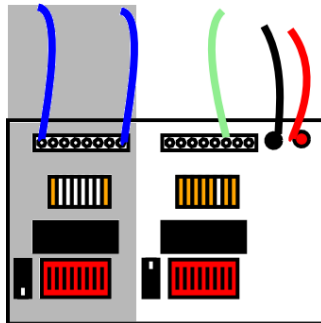
This is an example of the kind of connections you'd normally see.



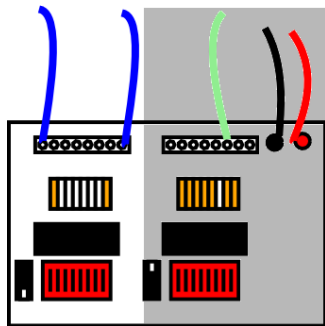


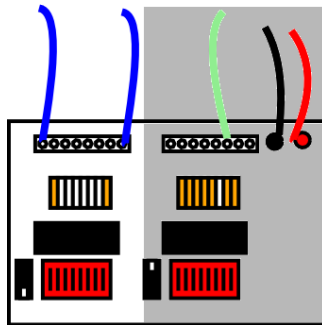
It needs power and ground.



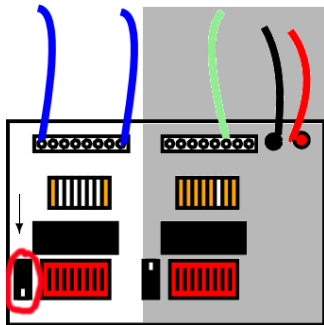


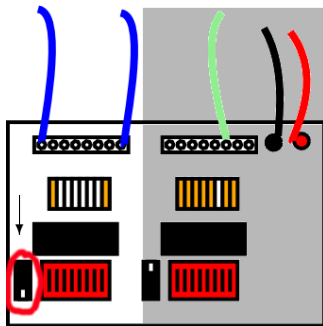
One bank is in “display” mode.



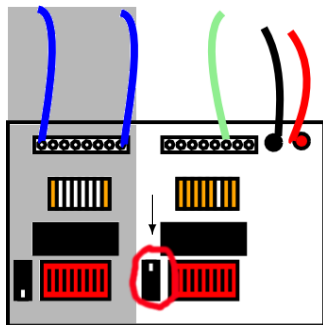


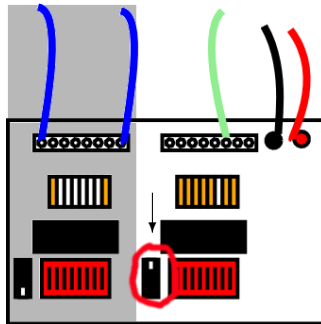
One bank is in “control” mode.



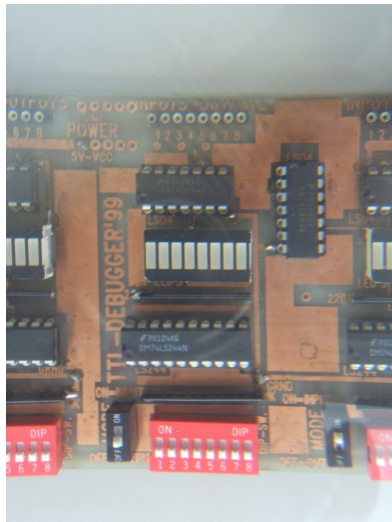


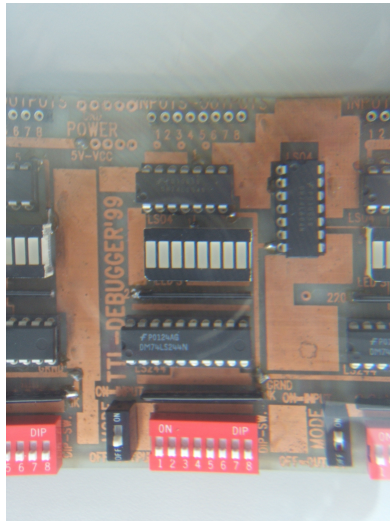
This switch determines which mode the bank is in.





Notice it's in the opposite position for the other mode.





Can you figure out which mode this bank is in? (This is an older board.)